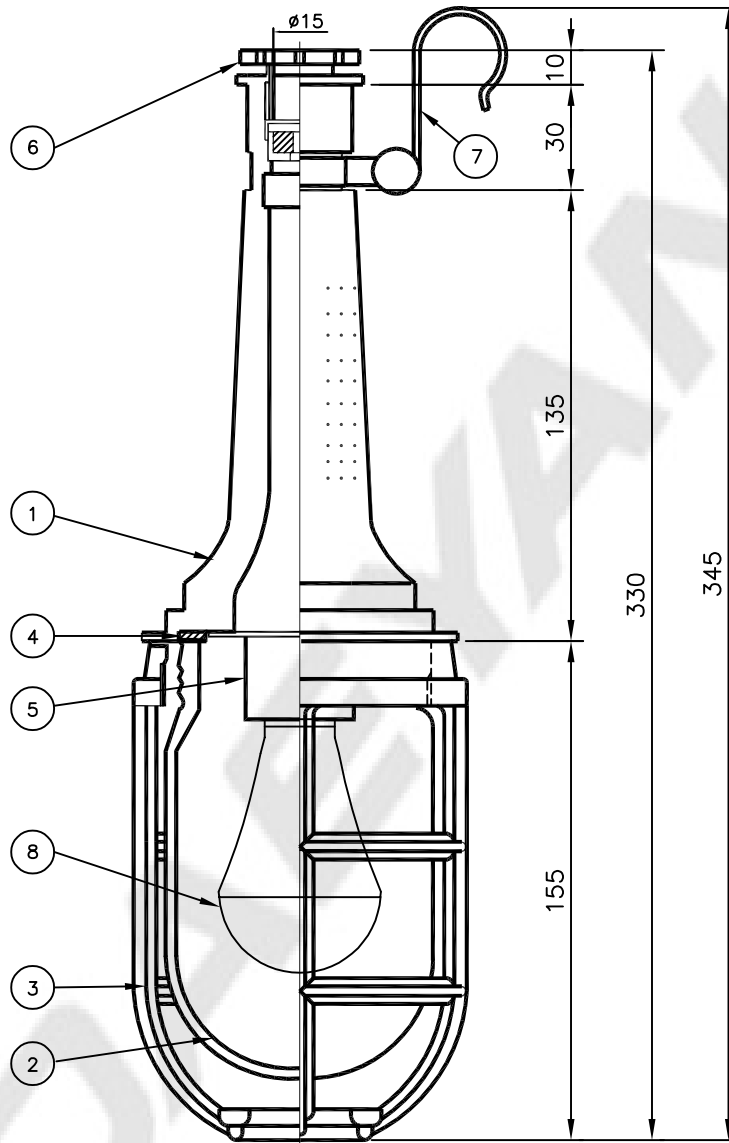


CAPACITY	SYMBOL/ SERIAL NO.	CIRCUIT DIAGRAM
DC 24V		
7.5W		



* W/CABLE 15M(TPNP 1.5SQ) CORD

8	LED LAMP	-	1	6,500K	4	GLOBE GASKET	SILICONE	1	
7	HOOK	STAINLESS STEEL	1		3	GUARD	POLYCAR-BONATE	1	
6	NIPPLE	POLYCAR-BONATE	1		2	GLOBE	GLASS	1	S-90
5	LAMP HOLDER	PORCELAIN	1	TE26/27	1	BODY	POLYCAR-BONATE	1	
NO	NAME OF PARTS	MATERIAL	Q'TY	REMARKS	NO	NAME OF PARTS	MATERIAL	Q'TY	REMARKS

APPROVED	B. K. KIM	UNIT	MM	TITLE; LED PORTABLE HAND LAMP FOR MARINE USE
CHECKED	S. M. SON	SCALE	N/S	
DRAWING	M. S. KANG	COLOR	N-9.3	
DATE	2015.10.12	IP	56	



MODEL NO.	LH08-24PNC65-15M	WEIGHT	3.94kg
DWG NO.	LP5100035	SHEET NO.	27